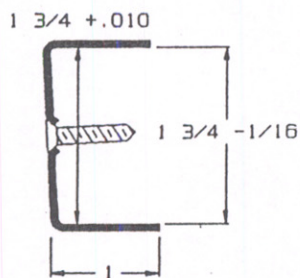
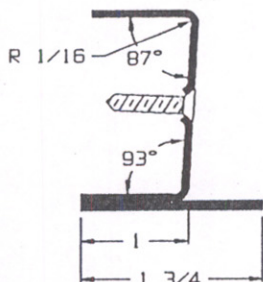


### EDGE & ASTRAGAL SPECIFICATIONS

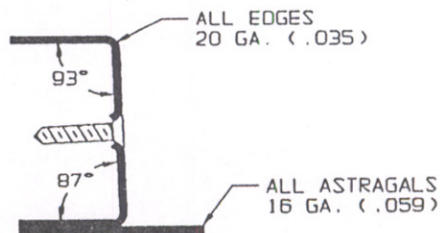
STANDARD EDGES ARE 20 GA. (.035") CRS.  
ASTRAGAL FLANGES ARE 16 GA. (.059") CRS.



#206 BEVELED EDGE



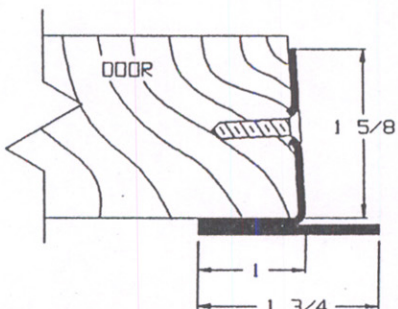
#205 STD. BEVEL ASTRAGAL



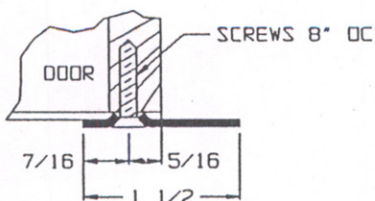
#210 REVERSE BEVEL ASTRAGAL  
#204 SQUARE ASTRAGAL (NO BEVEL)

- #216 SQUARE EDGE (NO BEVEL)
- #227 BEVELED EDGE Machined w/ Strike open to low side of bevel.
- #231 "L" SHAPED LOCK EDGE PROTECTOR - BEVELED
- #233 "L" SHAPED LOCK EDGE PROTECTOR - SQUARE

### "T" & FLAT ASTRAGALS



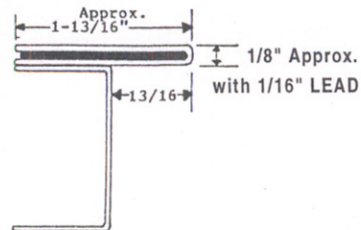
- #229 "T" ASTRAGAL - REVERSE BEVEL (Shown)
- #213 "T" ASTRAGAL-BEVELED
- #214 "T" ASTRAGAL - SQUARE



14 GA. (.074) CRS - Standard  
#215 FLAT ASTRAGAL

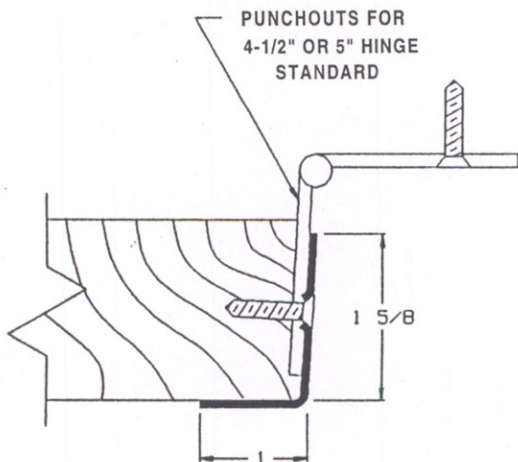
### LEAD LINED ASTRAGAL UL & WHI LISTED for 20 MINUTES

1/16" or 1/8" LEAD  
is crimped and glued  
in 20 GA. ASTRAGAL

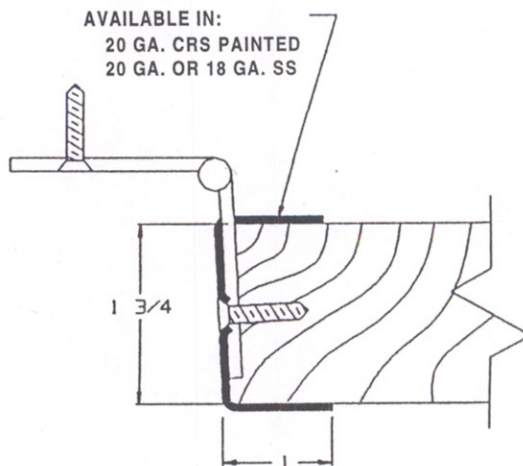


- LEAD LINED ASTRAGAL #204L - SQUARE (NO BEVEL)
- LEAD LINED ASTRAGAL #205L - STANDARD BEVEL
- LEAD LINED ASTRAGAL #210L - REVERSE BEVEL

### HINGE EDGE PROTECTORS



- #232 "L" SHAPED - BEVELED
- #235 "L" SHAPED - SQUARE



- #230 "U" SHAPED - BEVELED
- #234 "U" SHAPED - SQUARE