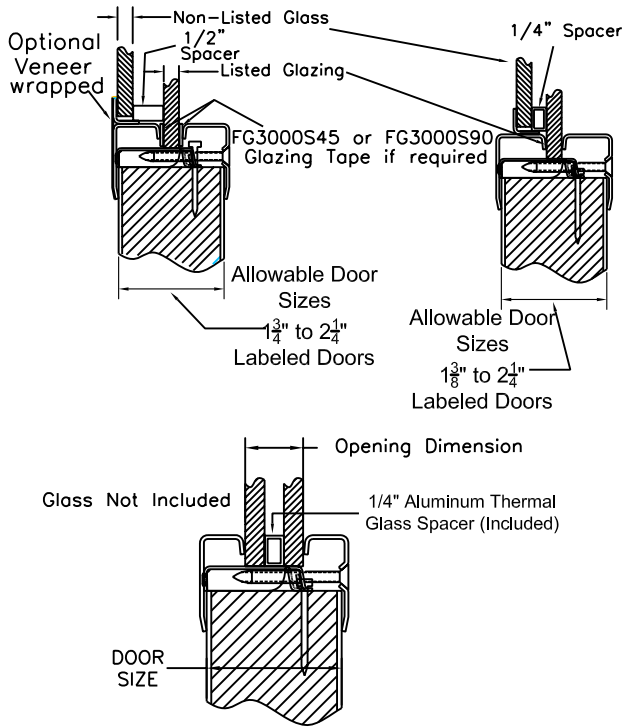


CROSS SECTION VIEWS



DOUBLE or TRIPLE GLAZED FRAMES

PATENT PENDING

STYLE #110-D2 Double Glazed (shown)

STYLE #110/#110B-T Triple Glazed

Order Size: Visible Dimensions of Center Pane (W x H)

Glass Size:

Center Pane: Order Size + $\frac{3}{4}$ "

Outer Pane(s): Order Size - $\frac{1}{4}$ "

Cutout Size: Order Size + $1\frac{1}{2}$ "

UL Listed 20, 45, and 60 Minutes when seated pane is listed glazing material. The outer pane can be listed or non-listed glazing material.

PATENT PENDING

STYLE #110-D1 Double Glazed (shown)

Order Size: Visible Dimensions of Frame (W x H)

Glass Size: Order Size + $\frac{3}{4}$ "

Cutout Size: Order Size + $1\frac{1}{2}$ "

NO Fire Rating.

Glass Note: Laminated Glass NOT recommended.
See "Non-Fire Rated Glazing Recommendations" on Page 11.

FRAMES for LEAD LINED DOORS

STYLE #115-L1 for doors leaded under the skins or down the center. Patent #4,550,542

Order Size: Visible Dimensions of Center Pane (W x H)

Glass Size:

Center Pane: Order Size + $\frac{3}{4}$ "

Outer Pane(s): Order Size - $\frac{1}{4}$ "

Cutout Size: Order Size + $1\frac{5}{8}$ "

UL Listed 20, 45, and 60 Minutes when seated pane is listed glazing material and the outer pane is Leaded Glass.

STYLE #115-L2 or #105M-L2 for doors leaded under the skins. Patent #4,550,542

Order Size: Visible Dimensions of Frame (W x H)

Glass Size: Order Size + $\frac{3}{4}$ "

Cutout Size: Order Size + $1\frac{5}{8}$ "

UL Listed 20, 45, and 60 Minutes. Requires Labeled Leaded Glass.

STYLE #115-L3 or #105-L3 for doors leaded down the center. Patent #4,550,542

Order Size: Visible Dimensions of Frame (W x H)

Glass Size: Order Size + $\frac{3}{4}$ "

Cutout Size: Order Size + $\frac{7}{8}$ "

No Fire Rating.

Glass Note: Laminated Glass NOT recommended.
See "Non-Fire Rated Glazing Recommendations" on Page 11.

