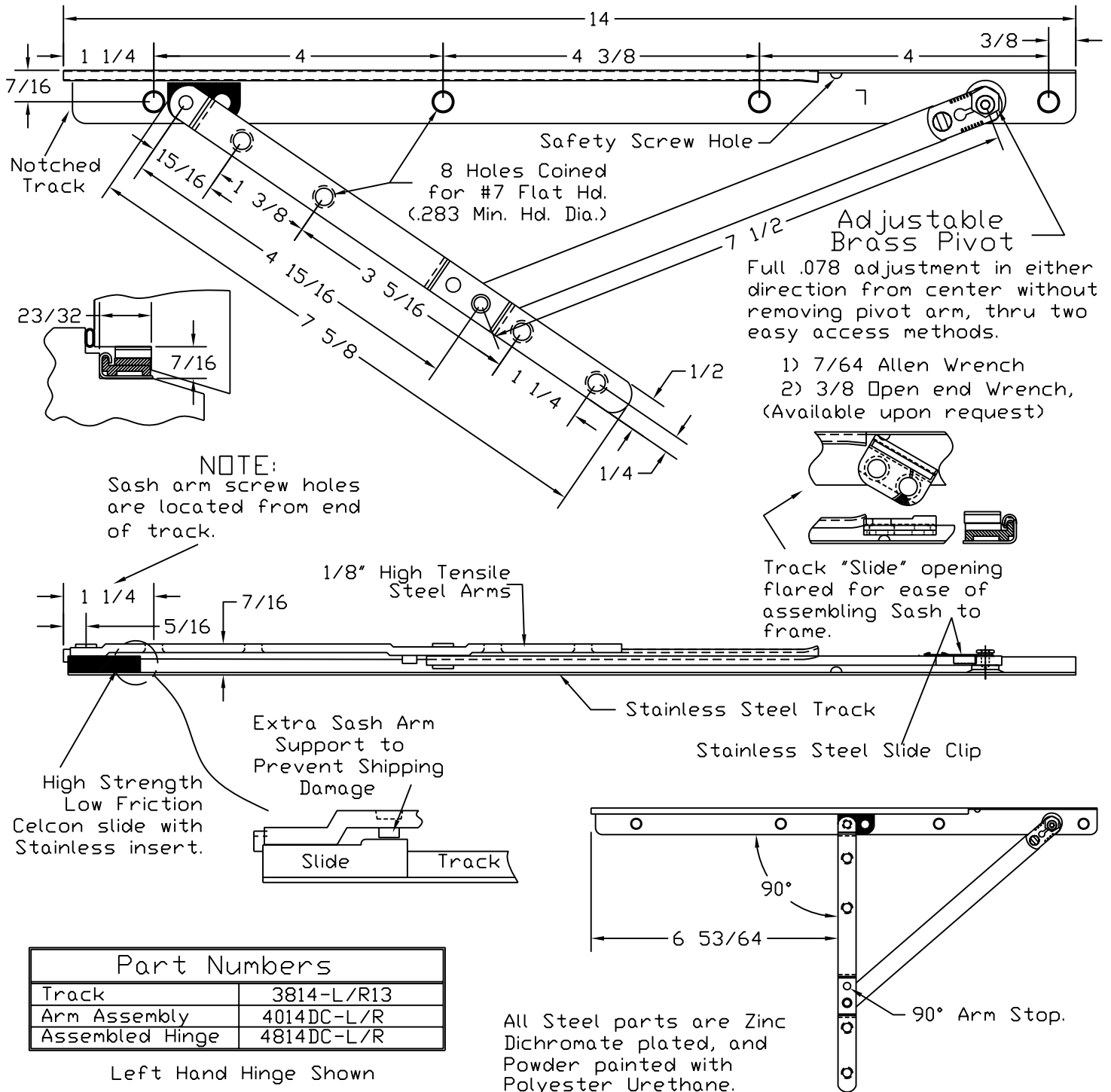


4800 SERIES

ADJUSTABLE 14" CONCEALED CASEMENT HINGE



Part Numbers	
Track	3814-L/R13
Arm Assembly	4014DC-L/R
Assembled Hinge	4814DC-L/R

Left Hand Hinge Shown

ALL METAL STAMPING, INC.

411 W. Spruce St. Abbotsford, WI 54405

Phone (715) 223-6324
Fax (715) 223-3352