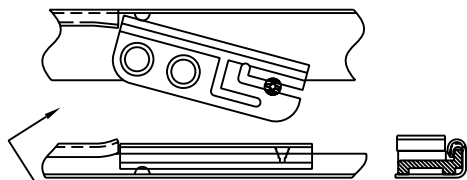
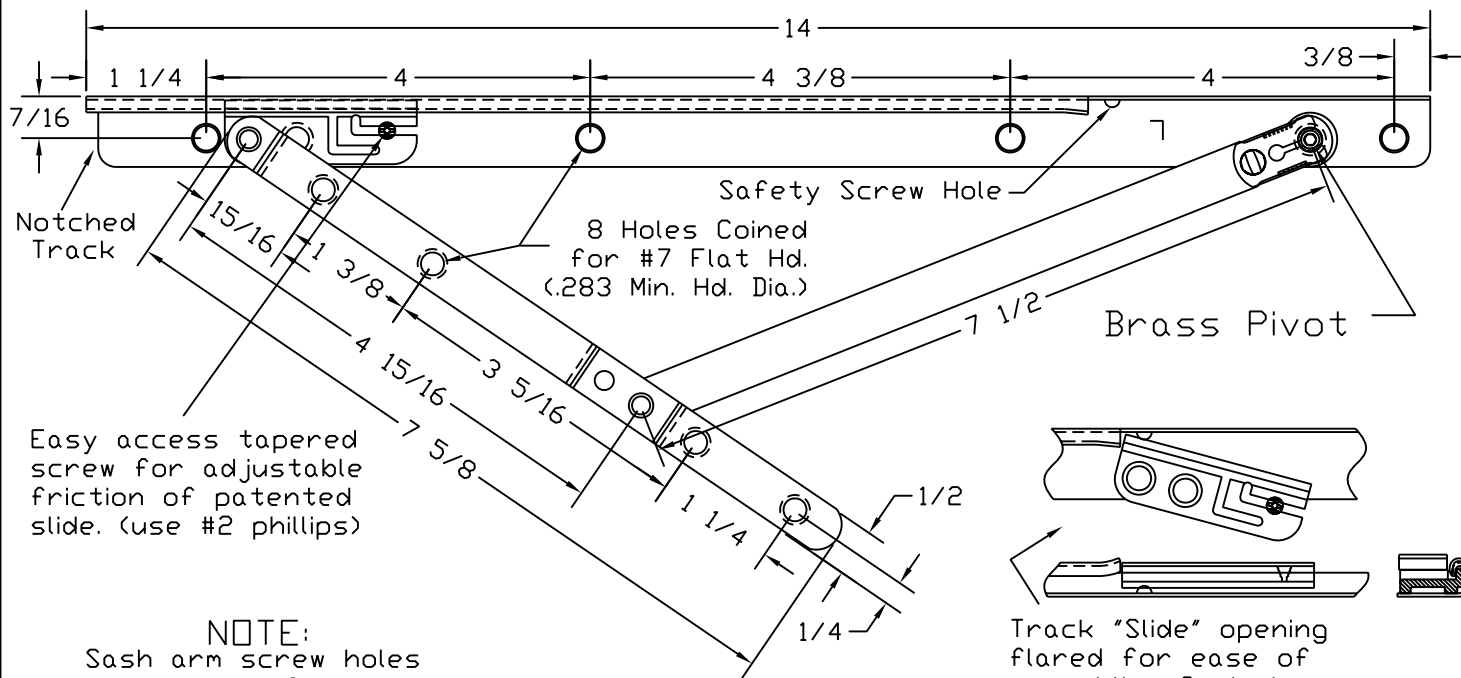
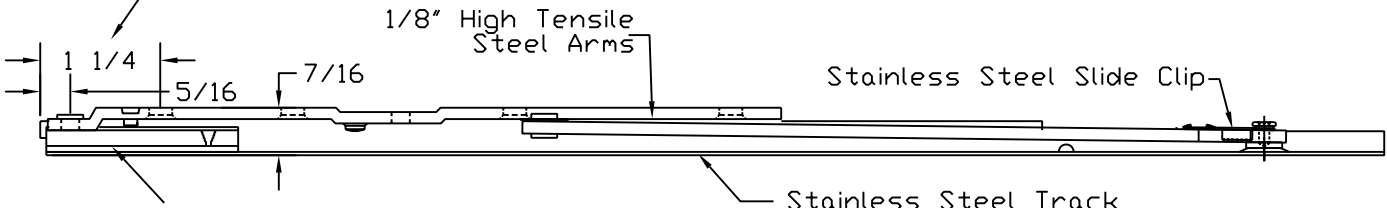


4300 SERIES 14" AWNING HINGE

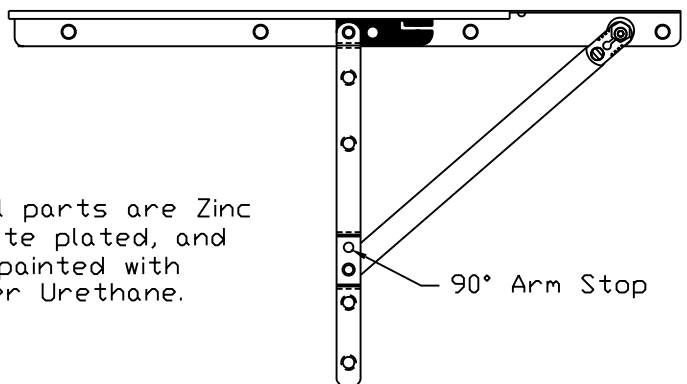
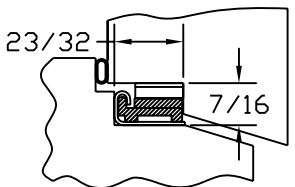


Track "Slide" opening flared for ease of assembling Sash to frame.

NOTE:
Sash arm screw holes are located from end of track.



2" High Strength Celcon slide, with Stainless insert.



All Steel parts are Zinc Dichromate plated, and Powder painted with Polyester Urethane.

Part Numbers	
Track	3314B-L/R13
Arm Assembly	4014D-L/R
Assembled Hinge	4314D-L/R

Left Hand Hinge Shown.

ALL METAL STAMPING, INC.

411 W. Spruce St. PO Box 485 Abbotsford, WI 54405
 Phone (715) 223-6324
 Fax (715) 223-3352