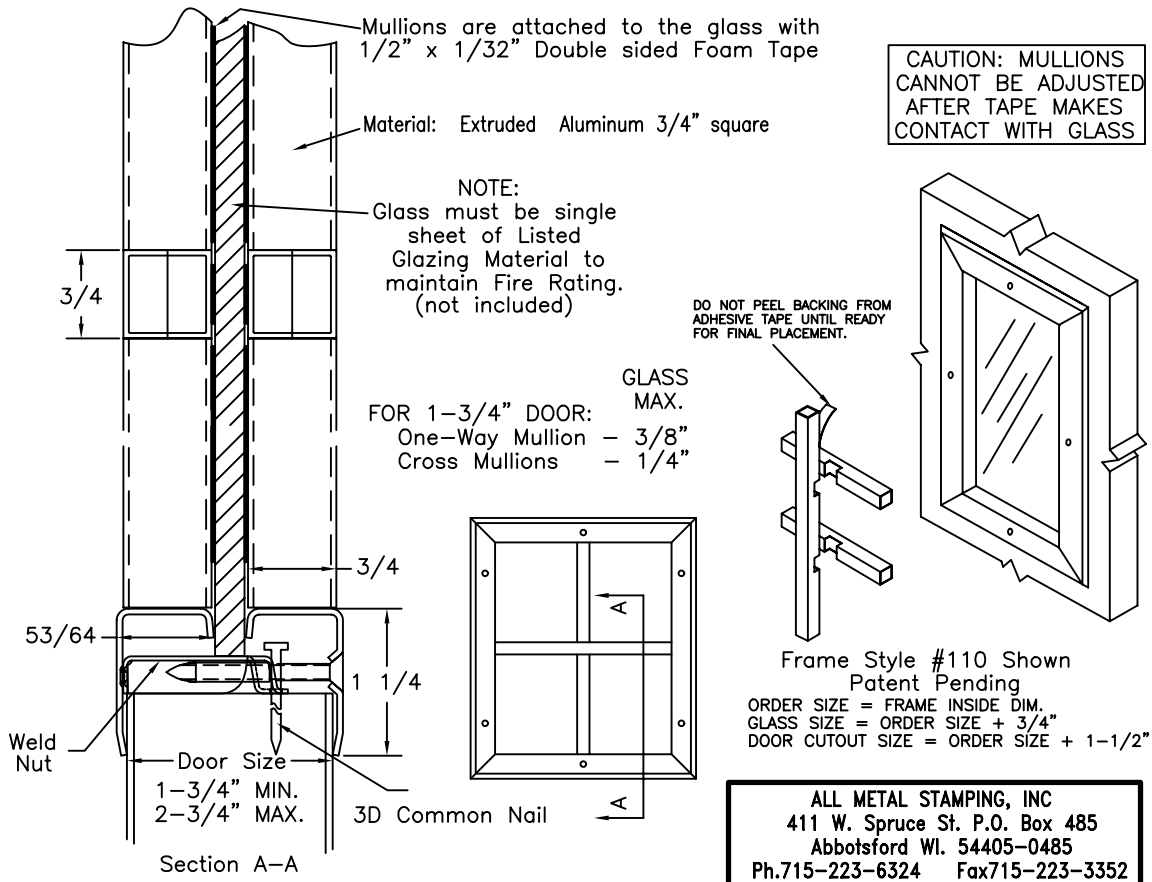


### 3/4" Painted Aluminum Tape on Mullions



### 5/8" Painted Steel Welded Mullions

