

# ALL METAL STAMPING, INC.

715-223-6324

411 W. Spruce Street, P.O. Box 485

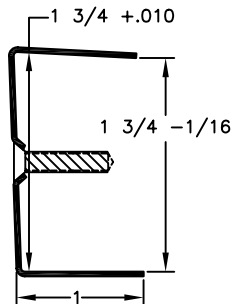
FAX: 715-223-3352

Abbotsford, WI. 54405-0485

## EDGE & ASTRAGAL SPECIFICATIONS

Standard Edges are 20 GA. (.035) CRS

Astragal Flanges are 16 GA. (.062) CRS



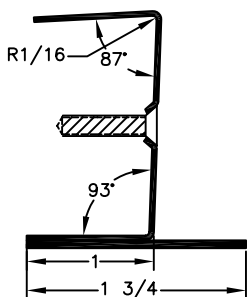
#206 Beveled Edge (shown)

#216 Square Edge (No Bevel)

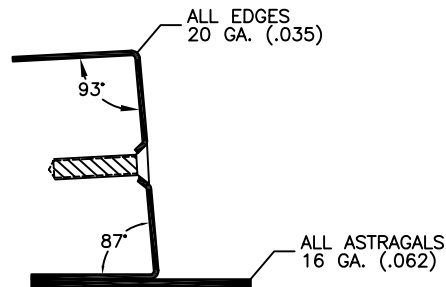
#227 Beveled Edge Machined w/Strike open to low side of bevel.

#231 "L" Shaped Lock Edge Protector - Beveled

#233 "L" Shaped Lock Edge Protector - Square

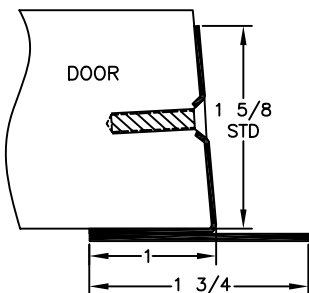


#205 Std. Beveled Astragal



#210 Reverse Beveled Astragal  
#204 Square Astragal (No Bevel)

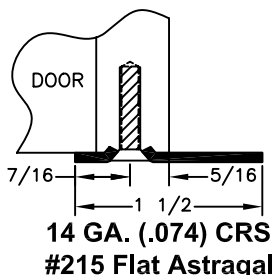
### "T", "Z" & Flat Astragals No Fire Ratings



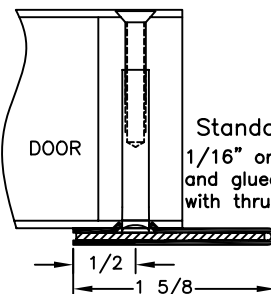
#229 "T" Astragal - Reverse Bevel (shown)

#213 "T" Astragal - Beveled

#214 "T" Astragal - Square



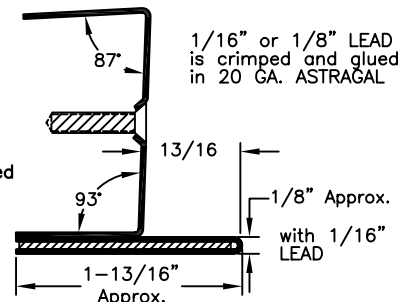
14 GA. (.074) CRS  
#215 Flat Astragal



18 GA. (.048) CRS Std.

#236 Lead Lined  
Flat Astragal  
(No Fire Ratings)

### Lead Lined Astragals



Lead Lined Astragal #205L Std. Bevel (shown)

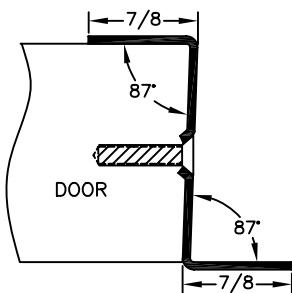
Lead Lined Astragal #204L Square (No Bevel)

Lead Lined Astragal #210L Reverse Bevel

UL Listed to 60 Minutes

WHI Listed to 20 Minutes

Listings apply to Astragal & Edge Sets ONLY



16 GA. (.062) CRS Standard

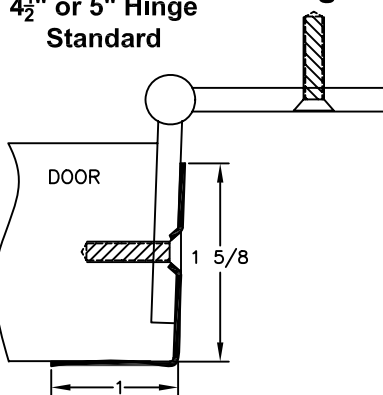
#238 "Z" Astragal - Beveled (shown)

#239 "Z" Astragal - Reverse Bevel

#237 "Z" Astragal - Square

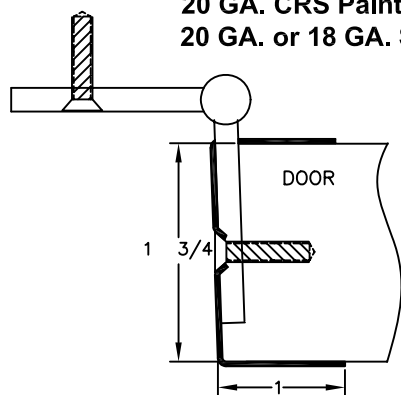
Punchouts For  
4 1/2" or 5" Hinge  
Standard

### Hinge Edge Protectors



#232 "L" Shaped - Beveled

#235 "L" Shaped - Square



#230 "U" Shaped - Beveled

#234 "U" Shaped - Square

Available in:  
20 GA. CRS Painted  
20 GA. or 18 GA. SS