

MODEL 110 LOW PROFILE FIRE DOOR LIGHT FRAME

FOR STANDARD 1 $\frac{3}{4}$ " DOOR AND $\frac{1}{2}$ " GLASS AND SOME OTHER APPLICATIONS

ORDER INFORMATION:

ORDER SIZE = Inside dimension of frame, (W+H)

CUTOUT SIZE = Order size + 1 $\frac{1}{2}$ "

GLASS SIZE = Order size + $\frac{3}{4}$ "

MATERIAL:

18 GA. CRS frame is standard.

- 33% thicker than 20 GA. frames
- Maintains flat appearance

FINISH:

Beige polyester powder coating.

- Extremely durable
- Visually appealing

OPTIONS:

- 18 GA. Galvanized for exterior use.
- 18 GA. Stainless Steel for hospital and food service.
- Custom colors.
- Wood veneer wrapped in various species to match door.

PRODUCT RANGE:

- Low Profile feature available for 1" to 2 $\frac{3}{4}$ " thick doors.
- Maximum Glass pocket with Low Profile feature is $\frac{5}{8}$ " less than Door Thickness.

NARROW FACE FRAME

- Better proportioned
- Visually appealing
- Suitable for wood, metal or mineral core doors.

MOUNTING HOLES:

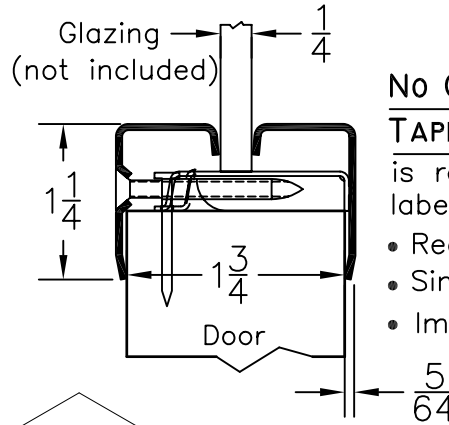
- 11" length or less, one hole centered.
- Over 11", three inches, maximum from corners.
- 11 $\frac{5}{16}$ " maximum centers.

#8 X 1 $\frac{1}{2}$ " Phillips Sheet Metal Screw (included)

GLASS NOTE: For non-fire rated applications we recommend $\frac{1}{4}$ " tempered glass. If laminated glass is used, glazing tape and light torque on the screws is required to prevent glass breakage.

UL & WHI LISTED

Meets UL10B requirements for NEGATIVE PRESSURE and UL10C & UBC 7-2(1997) for POSITIVE PRESSURE. Refer to AMS Listing Specifications. Fire tested WITHOUT glazing compound, tape or intumescent.



NO GLAZING COMPOUND, TAPE or INTUMESCENT

is required for most label applications.

- Reduces cost
- Simplifies installation
- Improves appearance

LOW PROFILE

- Provides less interference for exit hardware.

WELDED STIFFENER

- Reduces corner flex.

"Exclusive"

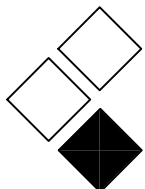
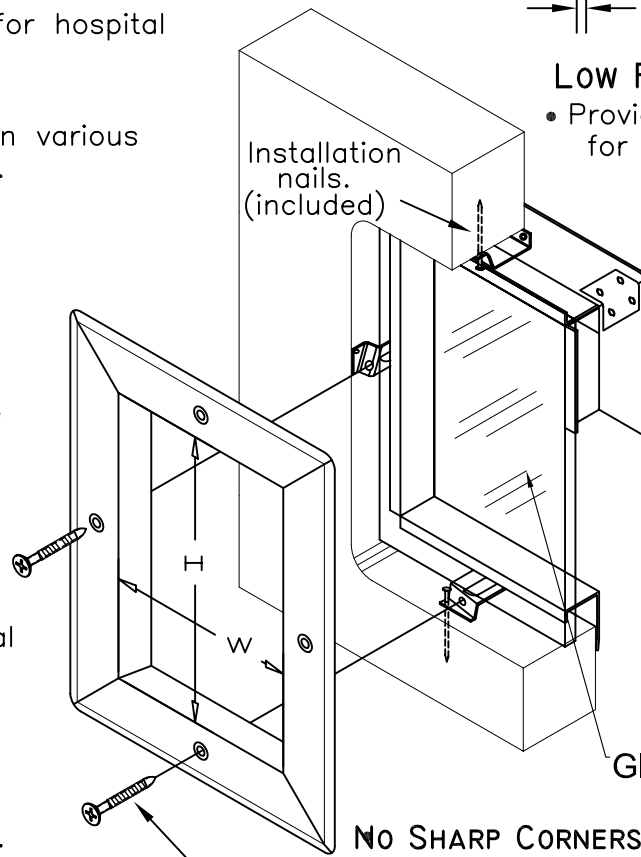
NAIL-IN FASTENING METHOD

- Requires only one person to install.
- Significantly reduces installation time.
- Corridor side is fastener free, secure and attractive.

Glass NOT included.

NO SHARP CORNERS
5/32 Radius

Laminated Glass NOT recommended
See Glass Note.



ALL METAL STAMPING, INC.

411 W. Spruce St., P.O. Box 485, Abbotsford, Wisconsin 54405-0485
Phone (715) 223-6324 www.allmetalstamping.com Fax (715) 223-3352